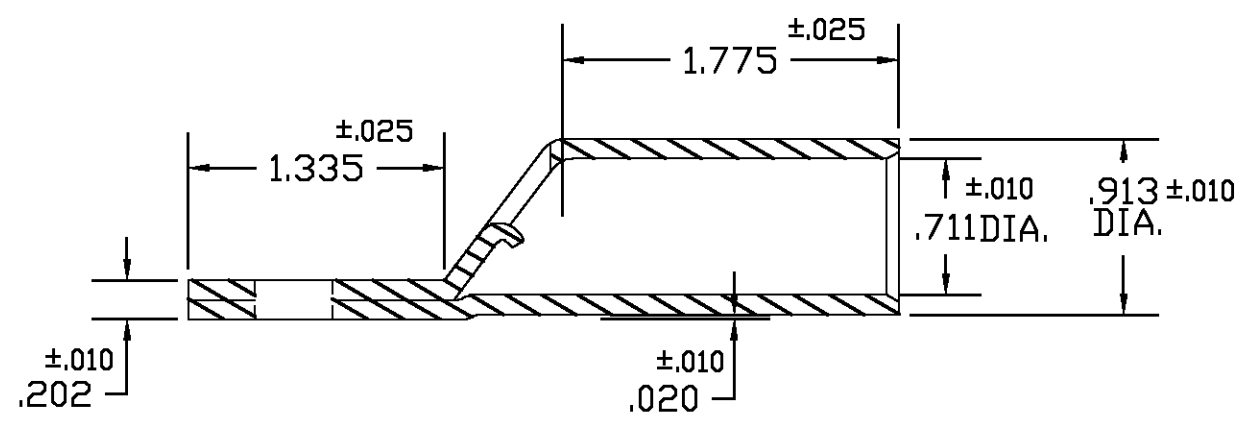
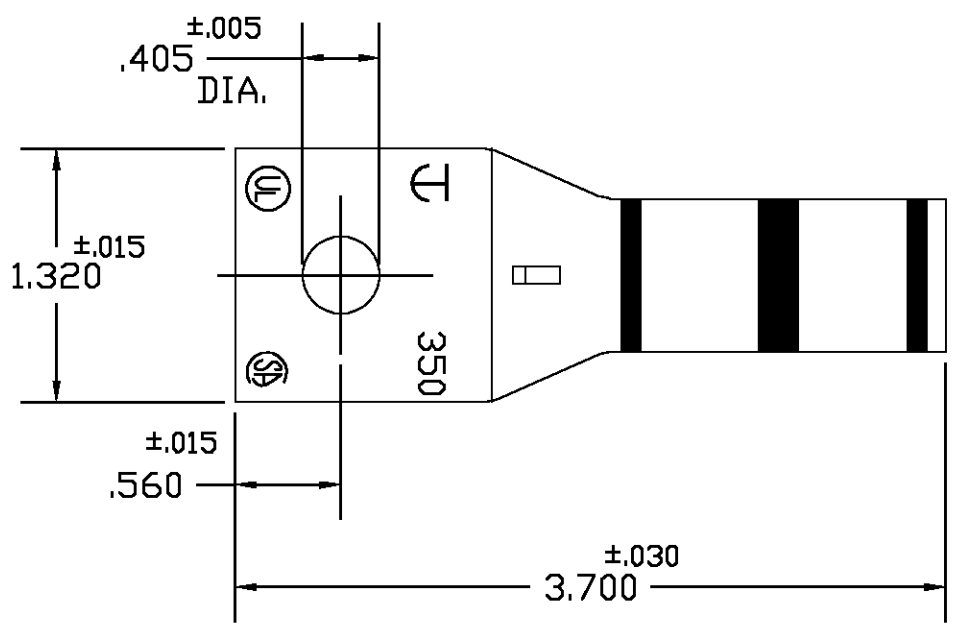


THIS DRAWING IS UNPUBLISHED. RELEASED FOR PUBLICATION  
 © COPYRIGHT BY TYCO ELECTRONICS CORPORATION. ALL RIGHTS RESERVED.

LOC	DIST	REVISIONS					
		P	LTR	DESCRIPTION	DATE	DWN	APVD
G	50		A	REV PER 0G3H-0069-04	10MAR04	JR	MS



COLOR CODED RED

ACTIVE	L-350387	STANDARD	COLOR CODED	1527336-3
STATUS	AET P/N	PACKAGING	FINISH	PART NUMBER

THIS DRAWING IS A CONTROLLED DOCUMENT.		DWN D.A.A 2/8/01	Tyco Electronics Corporation Harrisburg, PA 17105-3608		
DIMENSIONS: INCHES		CHK H.D.F 2/8/01			
		APVD H.D.F 2/8/01	NAME TUBULAR TERMINAL #350 LONG BARREL		
TOLERANCES UNLESS OTHERWISE SPECIFIED:		PRODUCT SPEC	SIZE A3		
0 PLC ± -		APPLICATION SPEC	CAGE CODE 00779	DRAWING NO C-1527336	RESTRICTED TO
1 PLC ± -		WEIGHT	SCALE 1:1		
2 PLC ± -		COPPER ASTM B-75	SHEET 1 OF 1		
3 PLC ± -			REV A		
4 PLC ± -		CUSTOMER DRAWING			
ANGLES ± -					
FINISH					